

TMX W403

SAW Filter datasheet

3.8 x 3.8 x 1.2 mm, SMD

Table of Contents

Features	1
Maximum Ratings	1
Frequency and Electrical Characteristics (Reference temperature @ 25°C)	1
Model Outline, Pin Connection and Marking	2
Test Circuit	2
Frequency Characteristics	3
Packaging	3

TMX W403

SAW Bandpass Filters | DVB-C - RF

Features

Features

- 1220 MHz center frequency
- Ceramic package for Surface Mounted Technology
- RF-SAW Filter for DVB – C
- 8 MHz useable Passband
- 200 Ω Balance Configuration

Applications

- Digital Video Broadcasting

3.8 x 3.8 x 1.2 mm



Maximum Ratings

Parameter	Min.	Typ.	Max.	Unit
Storage temperature range (T_{stg})	-40		85	$^{\circ}\text{C}$
Operating temperature range (T_A)	-40		85	$^{\circ}\text{C}$

Frequency and Electrical Characteristics (Reference temperature @ 25 $^{\circ}\text{C}$)

Parameter	Min.	Typ. ¹	Max.	Unit
Source impedance (balance)		200		Ω
Load impedance (balance)		200		Ω
Center frequency (fc)		1220		MHz
Bandwidth (BW, passband width)	8.00			MHz
Absolute Attenuation				
From 500 to 1125 MHz	50	60		dB
From 1125 to 1141 MHz	46	53		dB
From 1141 to 1155 MHz	48	55		dB
at 1132 MHz	50	65		dB
at 1176 MHz	50	55		dB
at 1184 MHz	46	62		dB
From 1290 to 2000 MHz	50	61		dB
Insertion Loss (IL, 1216 – 1224 MHz)		3.7	4.8	dB
Amplitude ripple (1216 – 1224 MHz)		0.8	1.5	dB
Group Delay (pk-pk, 1216 – 1224 MHz)		40		ns

TMX W403

SAW Bandpass Filters | DVB-C - RF



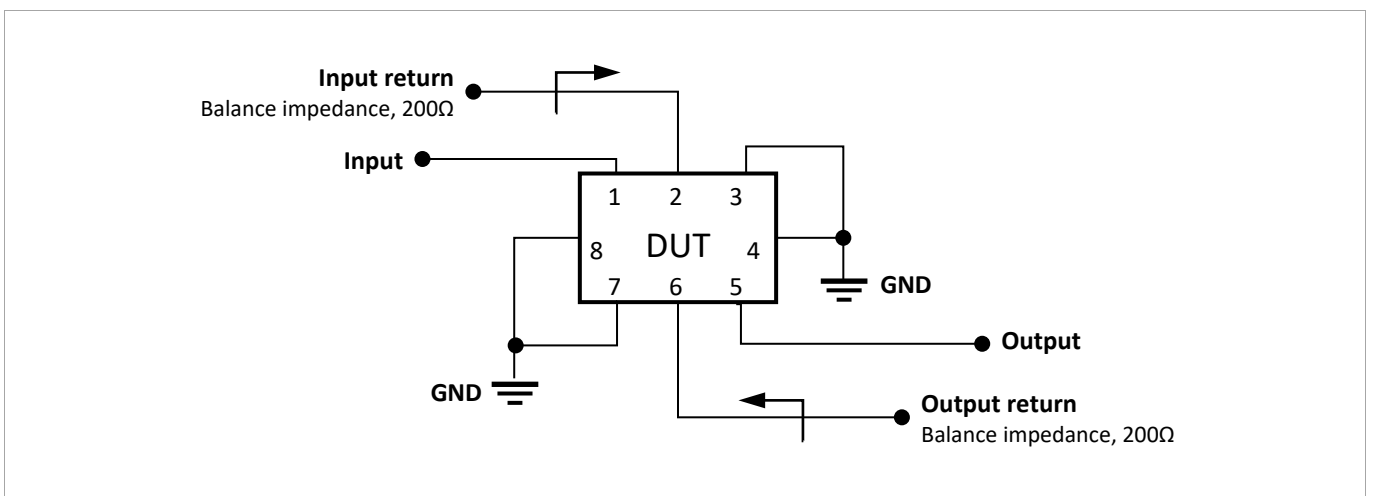
Model Outline, Pin Connection and Marking

Marking		Note
Line 1	NNNN	Reference to RakonXpress part number with only the last 4 digits
Line 2	RYWWZZ	R = Partner identifier Y = Last digit of the year WW = Number of week in the year ZZ = Lot number in the week (from AA to ZZ)
Line 3	•	• = Identify black dot

Pin	Connections
1	Input
2	Input return
5	Output
6	Output return
3, 4, 7, 8	To be ground

Unit: mm

Test Circuit

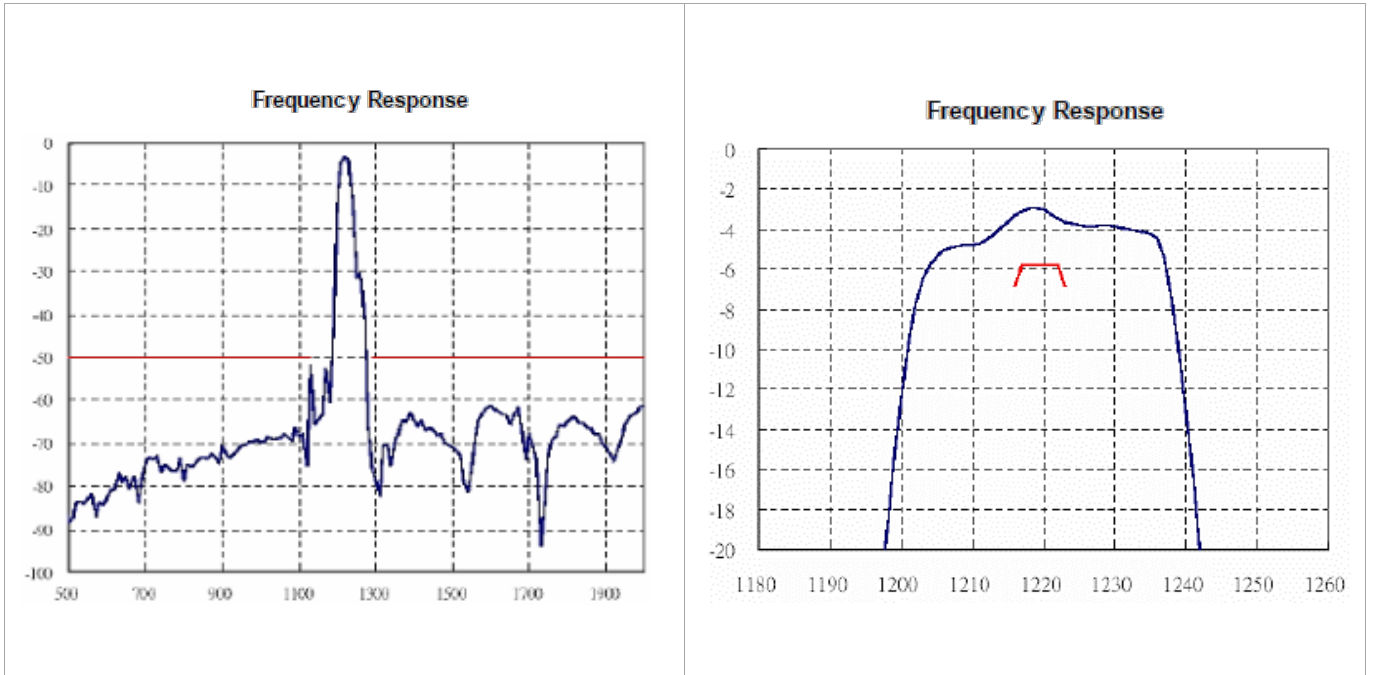


TMX W403

SAW Bandpass Filters | DVB-C - RF



Frequency Characteristics



Packaging

REEL DETAILS:

