

## RPT7050J

The RPT7050J uses Rakon's new patented, Pluto+ ASIC. Pluto+ advances on the world famous, ‘best-in-class’ Pluto ASIC technology by providing enhanced frequency versus temperature stability. It also delivers to the industry the lowest jitter achievable from an ultra-stable TCXO. This allows the oscillator to be compliant with various standards including GR-1244, GR-253, G.812, G.813, G.8262 and G.827x.

### Features

- Best in class frequency versus temperature
- RMS phase jitter down to 0.13ps
- Phase noise <-160dBc/Hz floor
- Excellent holdover stability

### Applications

- Stratum 3 / IEEE 1588 / SyncE
- SONET / SDH / WDM / OTN
- Carrier Ethernet / Microwave
- Backhaul / Transport Equipment

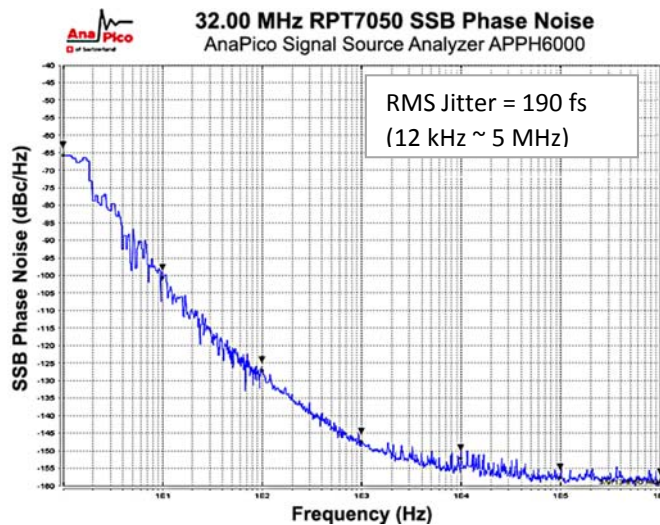
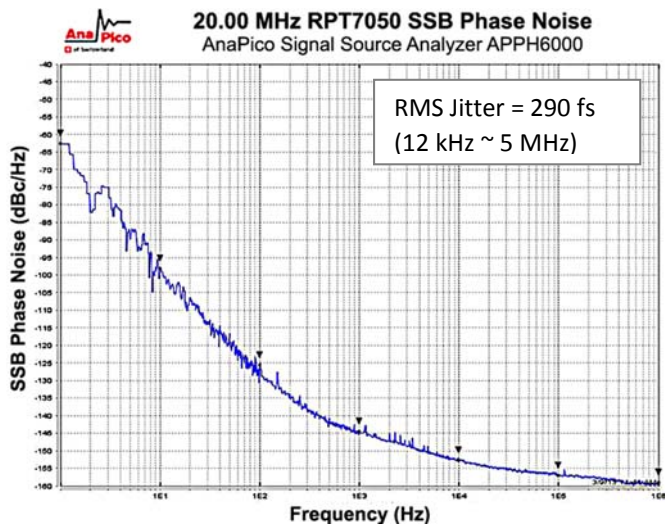
7.0 x 5.0 x 2.0 mm



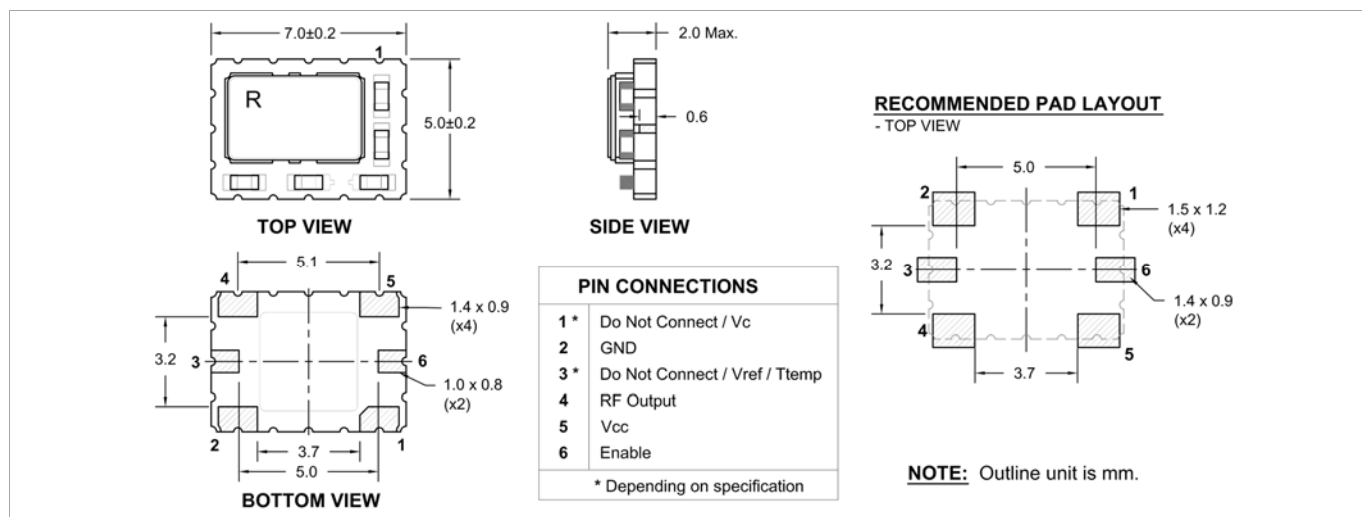
## Standard Specifications

Parameter	Min.	Typ.	Max.	Unit	Test Condition / Description
Nominal frequency		10 – 40		MHz	Standard frequencies: 10, 12.8, 16.384, 19.44, 20, 20.48, 24.576, 25, 30.72, 38.88 and 40MHz
Operating temperature range	-40		85	°C	
Holdover stability, variable temperature			±100 – ±280	ppb	The default reference for holdover stability, variable temperature is (Fmax + Fmin)/2
Holdover stability, constant temperature			±10 – ±40	ppb	±10ppb after 10 days of continuous operation, ±40ppb after 48 hours of continuous operation
Slope over temperature (ΔF/ΔT)			±20 – ±100	ppb/°C	
Free-run accuracy			±4.6	ppm	Inclusive of calibration tolerance at 25°C, temperature, supply voltage variation ±5%, load variation ±5pF, reflow soldering and 20 years ageing reference to the nominal frequency
Wander generation TDEV / MTIE					TDEV compliant with GR-1244 fig 5-4, G.812 types II & III fig 2, G.813, G.8262 MTIE compliant with GR-1244 Fig 5-5, G.812 types II & III fig 1, G.813, G.8262
Supply voltage stability		±0.025		ppm	±5% variation, reference to frequency at nominal supply voltage
Acceleration stability		< 2		ppb/g	Gamma vector, 3 axes, 30 – 1500Hz
Start-up time			5 – 15	ms	90% amplitude
Root Allan Variance		5		10 <sup>-11</sup>	tau = 1.0s
Supply voltage, V <sub>CC</sub>		3.3		V	±5%
Supply current	3		6	mA	Depending on nominal frequency
Oscillator output – HCMOS					LVC MOS & LV TTL compatible as per JESD8C
Output voltage level high (V <sub>OH</sub> )	0.9V <sub>CC</sub>			V	
Output voltage level low (V <sub>OL</sub> )			0.1V <sub>CC</sub>	V	
Duty cycle	45		55	%	At 50% level
Rise & fall time			8	ns	Between 10% and 90%
Load	0	15	30	pF	
Tri-state control					
Input level low (pin 6)			0.2V <sub>CC</sub>	V	Device disabled, output in high impedance state
Input level high (pin 6)	0.6V <sub>CC</sub>			V	Device enabled and operating

### SSB Phase Noise (Typical value at 25°C)



### Model Outline and Recommended Pad Layout



### Test Circuit

