

Specific request can be addressed to RAKON: info@rakon.com

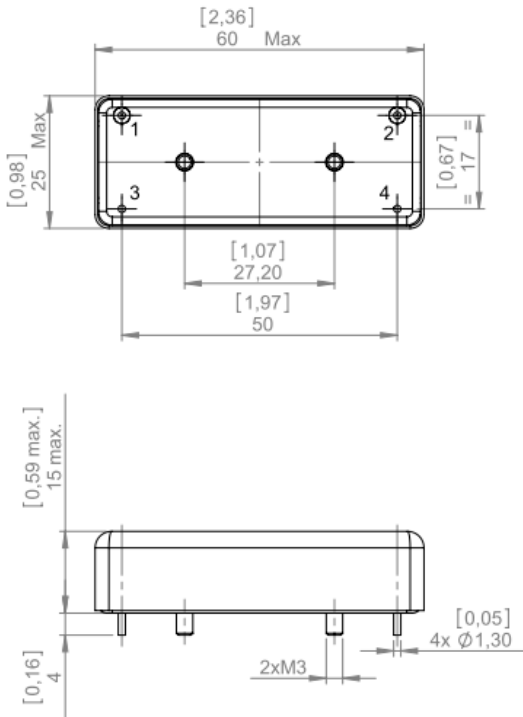
The below table can help as a selection guide.

This product display is only a partial listing of filters that Rakon has manufactured

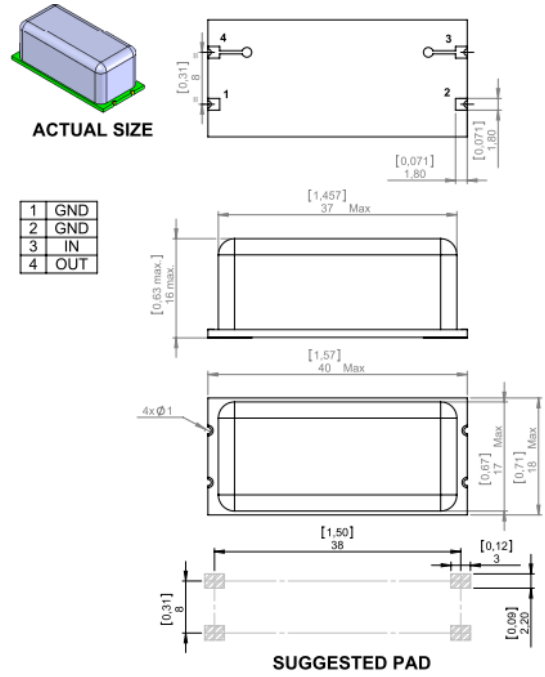
MODEL	Fo (MHz)	Bandwidth		I.L. (dB)	Stopband		Ultimate attenuation Min (dB)	Dimensions (mm)	Type of Package
		Min (KHz)	@dB		Max (KHz)	@dB			
RK F 004 2 THD 60	4.3	2.6	3	3	7	65	70	60x24.5x15	THD
RK F 010 C6 THD 60	10	0.060	3	6	1.1	50	70	60x24.5x18	THD
RK F 010 D2 THD 60	10.7	0.200	6	10	0.440	20	60	60x24.5x18	THD
RK F 010 5X THDL 58	10.7	50	6	6	200	65	70	58.2x17.2x10	THD Linear
RK F 010 5X SMD 27	10.7	50	3	4	300	60	70	27.4x15.8x12	SMD
RK F 010 2C THD 38	10.7	200	3	4	600	60	70	38.2x18.2x15	THD
RK F 010 3C THD 38	10.7	300	3	5	800	60	70	38.2x18.2x15	THD
RK F 021 2 THDL 38	21.4	2	6	5	46	80	80	38.2x18.2x15	THD Linear
RK F 021 2X THD2 38	21.4	20	3	6	50	100	100	2 cases linked by 3 dB attenuator 38.2x18.2x15	THD
RK F 021 8X THD 38	21.4	80	3	4	130	60	80	38.2x18.2x15	THD
RK F 021 2C THDL 38	21.4	200	6	6	1200	80	80	38.2x18.2x15	THD Linear
RK F 021 5C THD 58	21.4	500	3	4	1400	60	70	58.2x17.2x10	THD
RK F 021 1M THD 58	21.4	1000	6	5	3000	60	70	58.2x17.2x10	THD
RK F 043 2X SMD 40	28	20	3	6	45	60	70	40x18x10	SMD
RK F 045 1C THD 38	36	100	3	5	150	40	70	38.2x18.2x15	THD
RK F 045 1C THD 38	40	100	3	4	600	40	60	38.2x18.2x15	THD
RK F 043 2X THD 25	43.5	20	1	4	55	40	80	25x16x12	THD
RK F 043 3C THD 38	43.5	360	1	6	860	40	70	38.2x18.2x15	THD
RK F 045 8X THD 58	45	80	3	4	150	40	60	58.2x17.2x14	THD
RK F 050 3X THD 38	50	3.2	3	4	15	40	60	38.2x18.2x15	THD
RK F 050 5X THDL 58	50	80	3	6	260	60	70	58.2x17.2x14	THD Linear
RK F 060 6 THD 38	60	6	3	4	60	60	70	38.2x18.2x15	THD
RK F 060 1C THD 38	60	100	3	4	600	70	70	38.2x18.2x15	THD
RK F 063 6X THD 58	63	60	3	4	120	60	70	58.2x17.2x14	THD
RK F 070 2 THD 58	70	2	3	6	15	60	70	58.2x17.2x14	THD

RK F 070 7 THD 38	70	7.5	3	6	50	40	70	38.2x18.2x15	THD
RK F 070 9X THD 60	70	90	3	5	400	60	70	60x24.5x15	THD
RK F 098 3X THDL 58	98	30	2	6	150	40	50	58.2x17.2x14	THD Linear
RK F 100 1X THD 38	100	10	3	5	50	40	60	38.2x18.2x15	THD
RK F 140 1X THD 38	140	10	3	6	100	60	60	38.2x18.2x15	THD
RK F 243 4X THD 58	243	40	3	6	150	60	60	58.2x17.2x14	THD

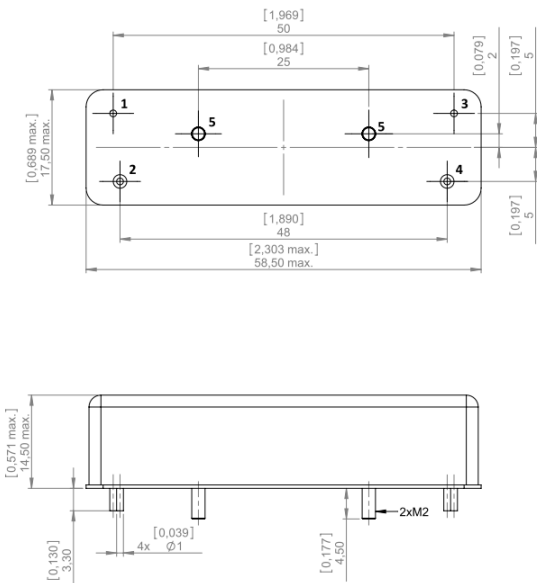
TYPE OF PACKAGE
60x24.5x15



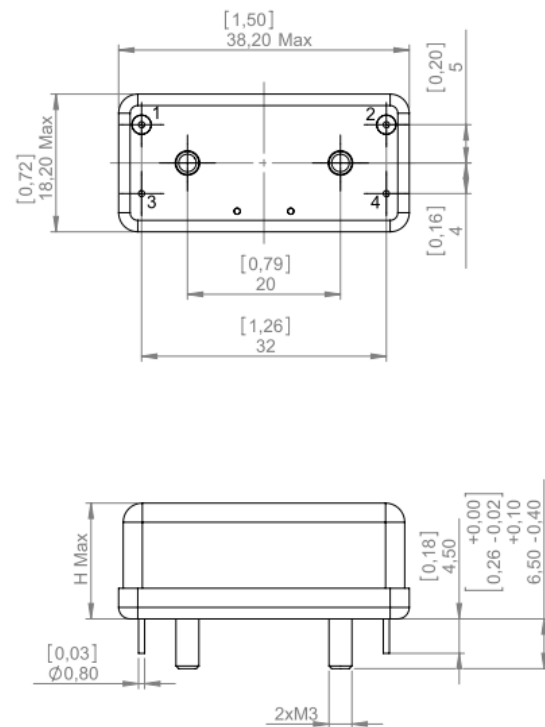
40x18x10 SMD



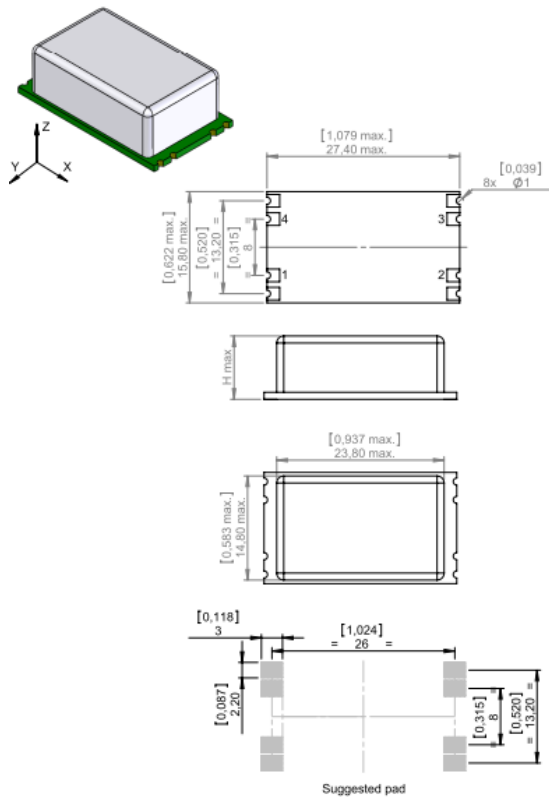
58.2x17.2x10



38.2x18.2x15



27.4x15.8x12



25x16x12

